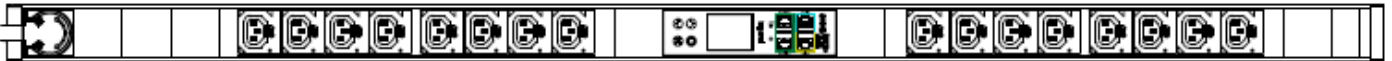


Technical Specifications / Engineering Submittals

Legrand Model Number: 646025

rev20181022

LINE DRAWING



FEATURES

Energy Metering	Voltage (V), Current (A), Active Power (kW), Real Power (kVA), Energy (kWh), Power Factor
Metering Accuracy	ISO/IEC 62053-21 1%
Metering per Input Line	Yes
Metering per Branch Circuit Breaker	No
Metering per Output Receptacle	No
Remote Outlet Switching	Yes
Environmental Sensor Ready	Yes
Replaceable Controller	No
Compatible Sensors	Temperature, Humidity, Air Flow, Differential Pressure, Water Leak, and Contact Closure
Networking	Two (10/100 BaseT) Ethernet ports. Optional WiFi (802.11a/b/g/n)
Remote Management	HTTP(s); SSH; Telnet; RS-232 (Serial); Power IQ; SNMP version v2/v3; SMTP; JSON-RPC
Cascading	Yes, Max 16 PDUs can be daisy chained using a single Ethernet or USB connection
Onboard Display	Color, matrix LCD display : Voltage, current, or active power (per line); Alarms; Configuration information (name, ratings, IP / Networking information); Auto-flip orientation
Embedded Processor	ARM Cortex A5 500MHZ (Atmel A5D21B), 16MB SPI Flash, 64MB DDR2 RAM



Technical Specifications / Engineering Submittals

Legrand Model Number: 646025

rev20181022

INPUT

Input Plug	IEC60320 C14 (2P3W)
Cord Length	3 meters (9.84 feet) standard
Cord Entry	Bottom-front feed
Cable Type	IP44("splashproof")
Number of Power Cords	1
Maximum Input Current	15A
Nominal Input Voltage	230V, Single phase
Rated Input Voltage	100-240V
Input Frequency	50/60Hz
Power Capacity	1.0kVA at 100V, 2.4kVA at 240V

OUTPUT

Nominal Output Voltage	230V
Rated Output Voltage	100-240V
Receptacles (Output Connections)	(16) C13, 10A
Securelock Support	No
Cord Retention	No
Overload Protection	N/A

PHYSICAL

Color	Silver powder coat (custom colors available)
Unit Dimensions (WxDxH)	52mm x 50mm x 1298mm; 2.0" x 2.0" x 51.1"
Mounting	Tool-less button mount



Technical Specifications / Engineering Submittals

Legrand Model Number: 646025

rev20181022

ENVIRONMENTAL

Operating Temperature	45°C
Operating Relative Humidity	85%
Operating Elevation	0-10000ft

CONFORMANCE

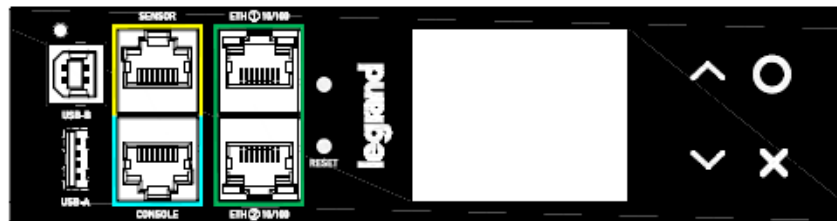
Regulatory Approvals	CE, Canada ICES-003, Part 15 Class A of the FCC rules, RoHS compliant
Warranty	Standard 2 years manufacturer warranty

Technical Specifications / Engineering Submittals

Legrand Model Number: 646025

rev20181022

CONTROL PANEL

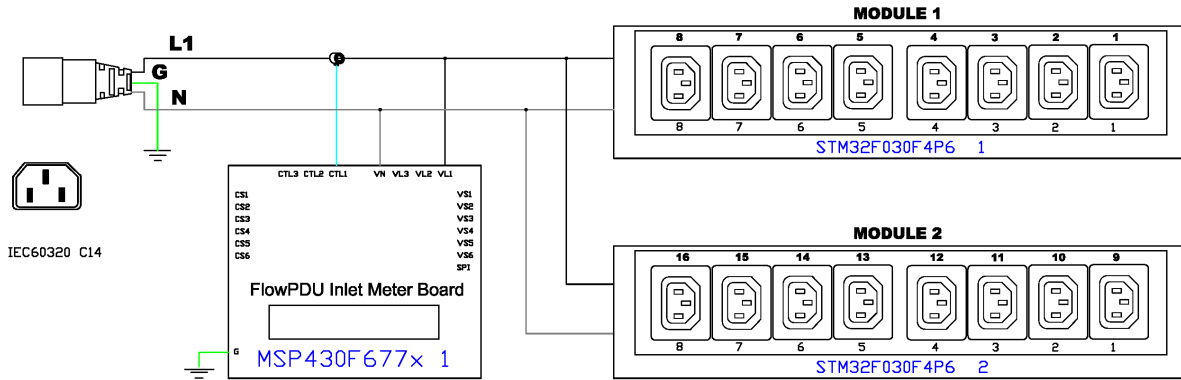


Technical Specifications / Engineering Submittals

Legrand Model Number: 646025

rev20181022

ELECTRICAL (ONE LINE) DIAGRAM



Technical Specifications / Engineering Submittals

Legrand Model Number: 646025

rev20181022

MECHANICAL DIAGRAM

